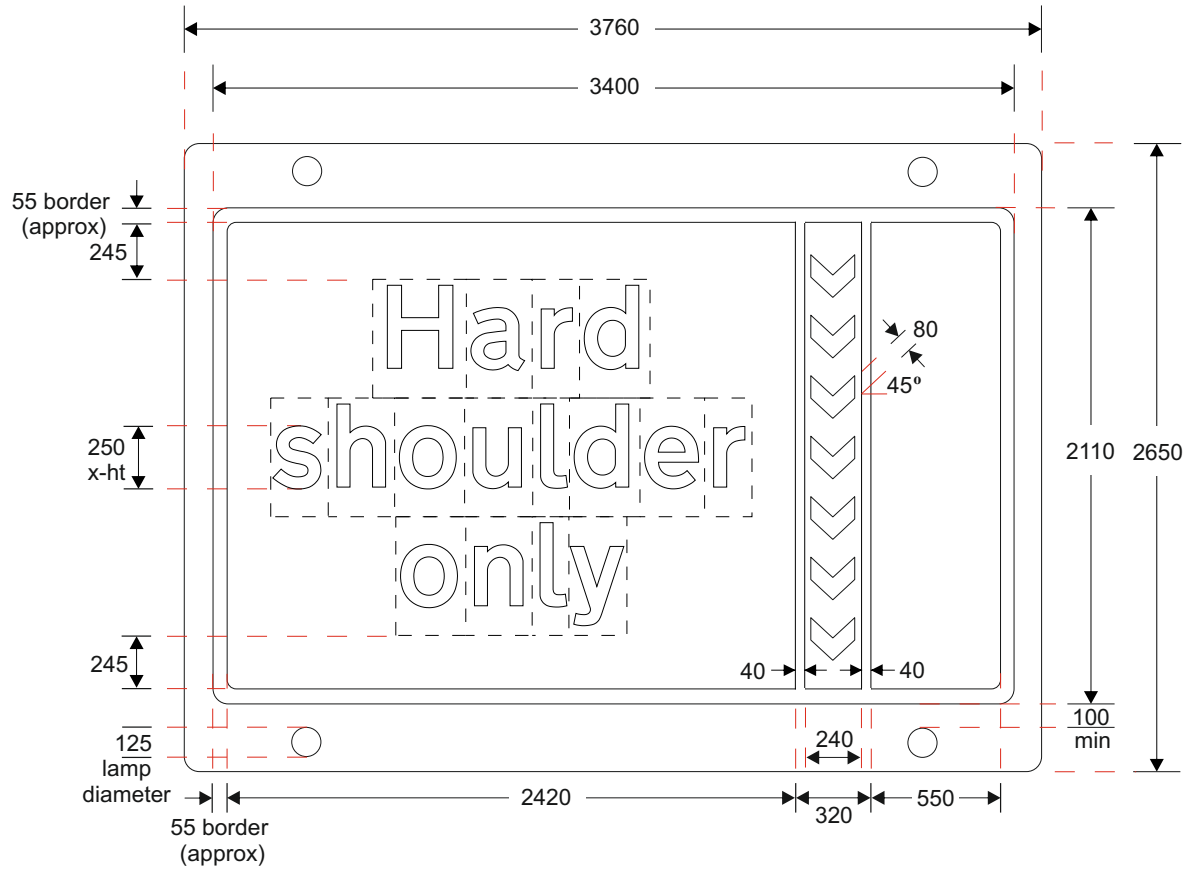
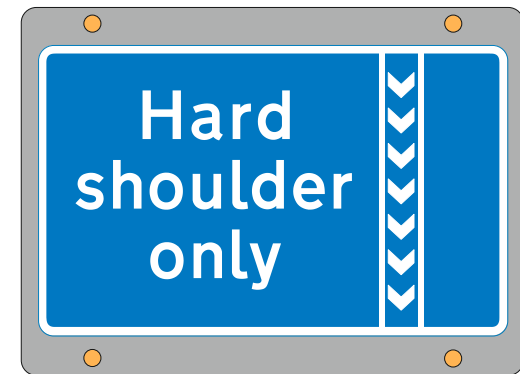


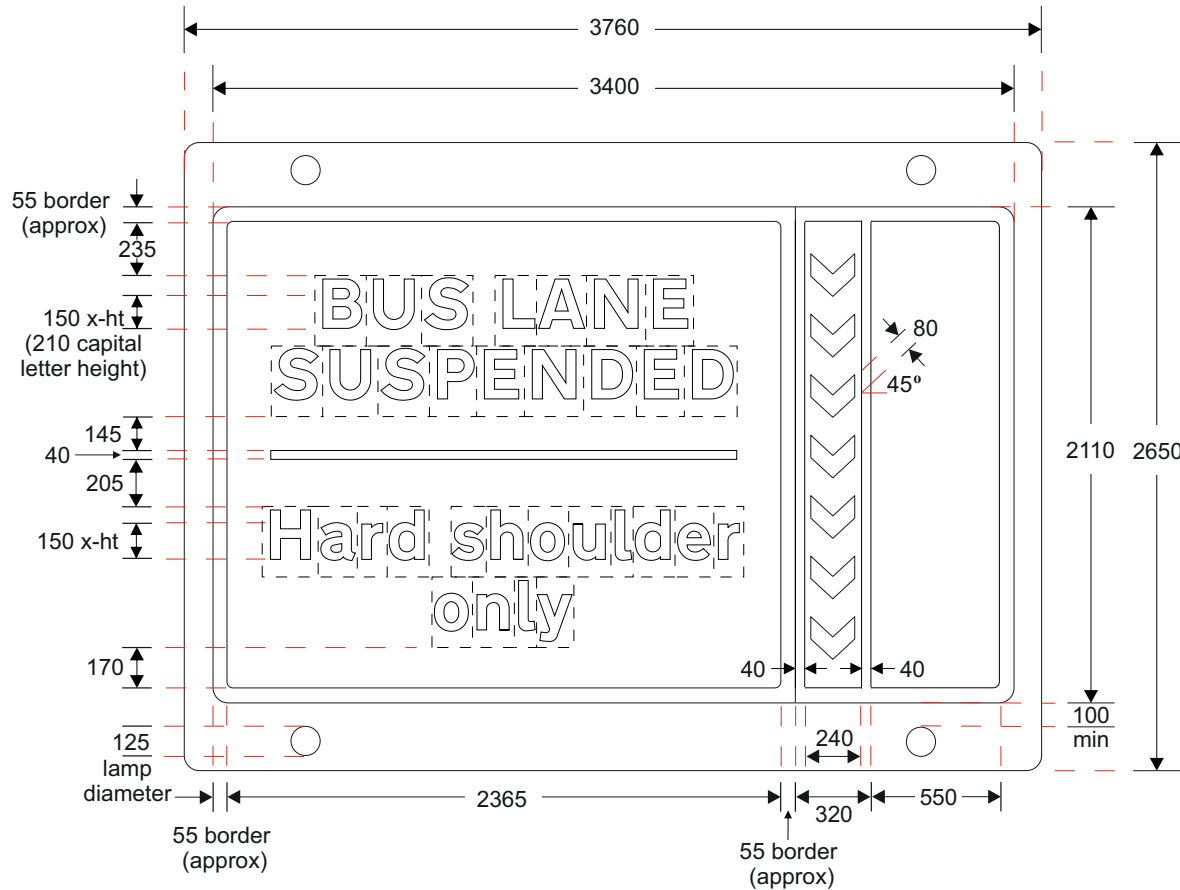
- Notes:
1. The legend is from the Transport Medium alphabet at the x-heights shown.
  2. Dimensions : x-heights and other dimensions are in millimetres.
  3. The tile outlines do not form part of the sign
  4. COLOURS: Background ----- BLUE  
Legend, Chevrons & Border ----- WHITE  
Backing Board ----- GREY  
(As indicated in diagram below)



**Sign Face 1**

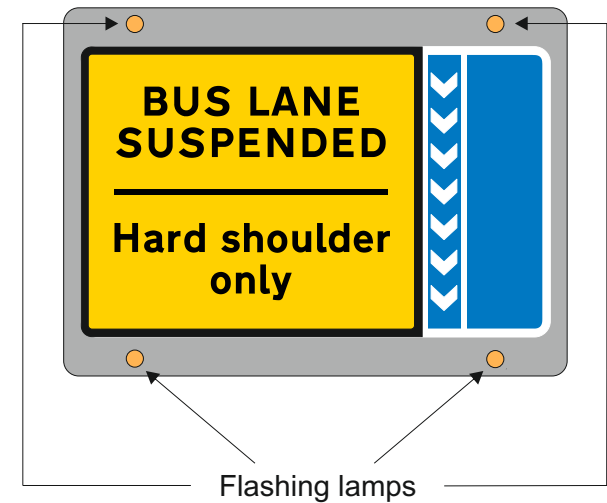


- Notes:
1. The legend is from the Transport Heavy alphabet at the x-heights shown.
  2. Dimensions : x-heights and other dimensions are in millimetres.
  3. The tile outlines do not form part of the sign.
  4. Flashing lamps operate when sign face 2 is displayed.

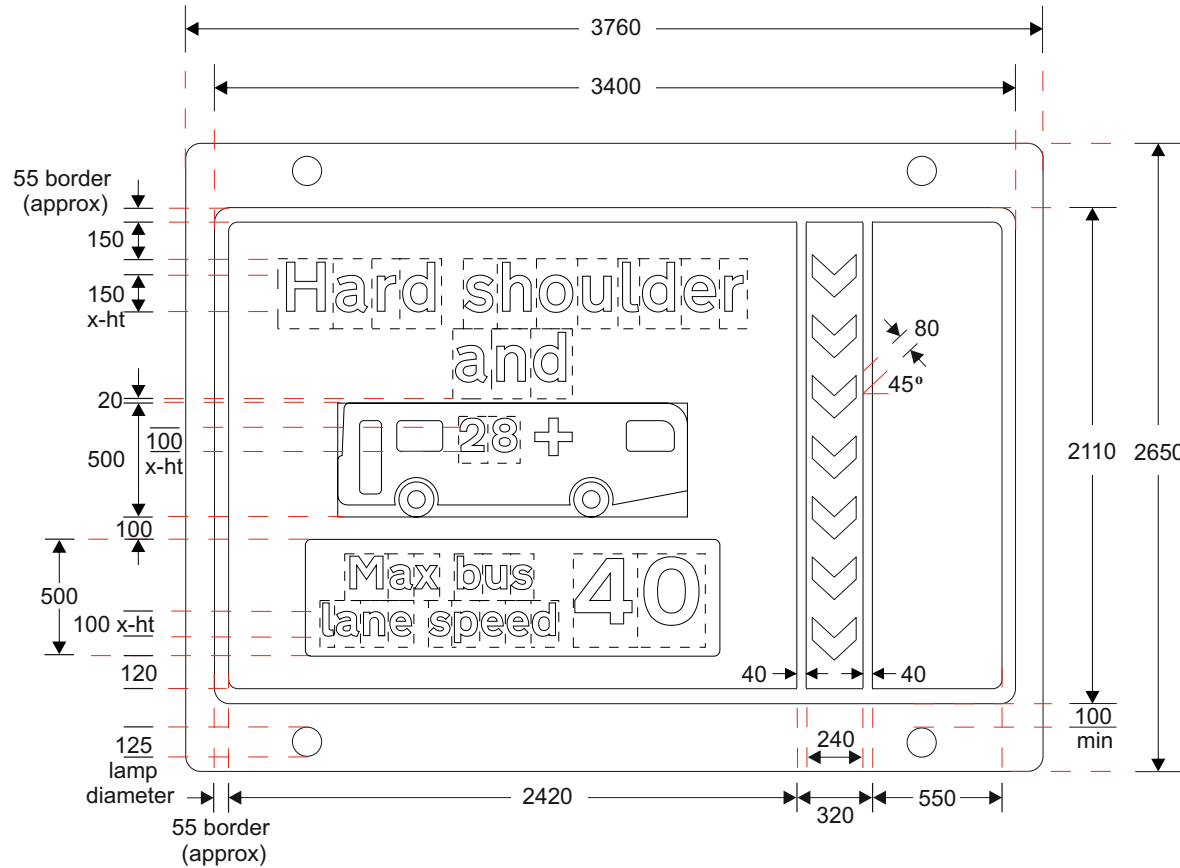


**Sign Face 2**

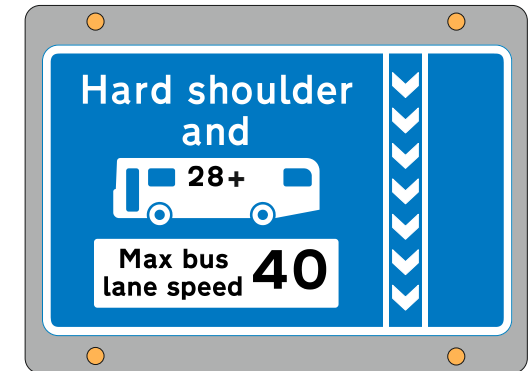
5. COLOURS: Background ----- BLUE / YELLOW  
Legend ----- BLACK  
Border ----- BLACK / WHITE  
Chevrons ----- WHITE  
Backing Board ----- GREY  
(As indicated in diagram below)



- Notes:
1. The white legend is from the Transport Medium alphabet at the x-heights shown.
  2. The black legend is from the Transport Heavy alphabet at the x-heights shown.
  3. Dimensions : x-heights and other dimensions are in millimetres.
  4. The tile outlines do not form part of the sign
  5. COLOURS: Background ----- BLUE



- Upper legend, Chevrons,  
bus symbol & Border ----- WHITE
- “28+” and “Max bus lane  
speed 40” legend ----- BLACK
- Backing Board ----- GREY  
(As indicated in diagram below)



**Sign Face 3**