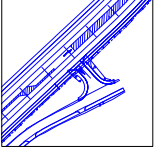





**Notes**  
 1. This drawing is the property of RPS Planning & Environment. It is a confidential document and must not be copied, used, or its contents divulged without prior written consent.

**LEGEND**

-  Proposed Alignment
-  Scheme Footprint
-  100m Buffer
-  200m Buffer

**ISSUE DETAILS**

Drawn: SMcA	Project No. NI 0830
Chkd: AMcK	File Ref. A
Appd: RH	Drawing No. 8.4
Date: November 2009	Rev. FINAL
Scale: Not to scale	

Environmental Consultants



Engineering Consultants



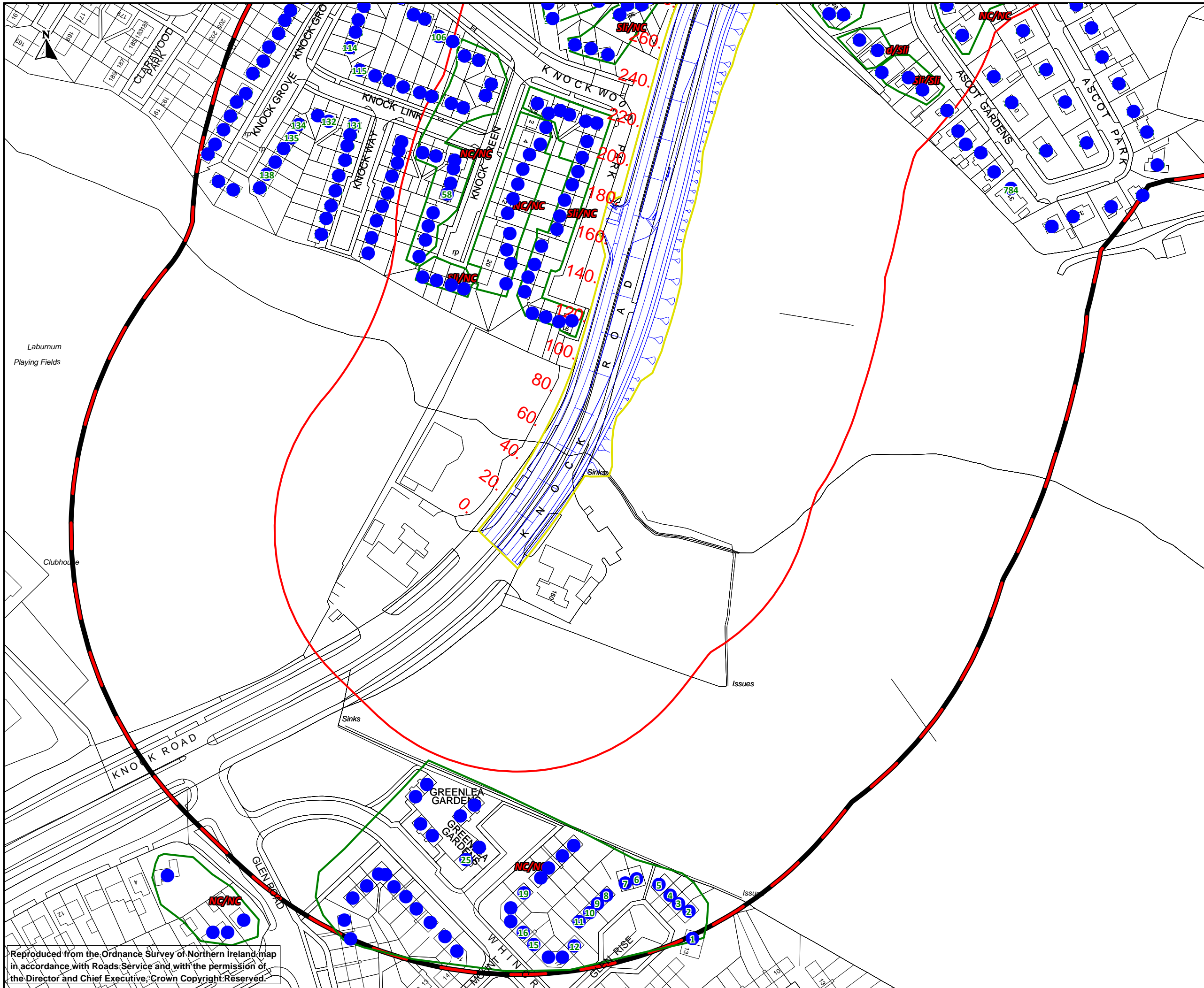
Client




**PROJECT & FIGURE DETAILS**

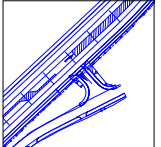




Project Title: A55 Knock Road Environmental Statement
Figure Title: Overview of Residential Visual Impact
Figure Number: 8.4

Reproduced from the Ordnance Survey of Northern Ireland map in accordance with Roads Service and with the permission of the Director and Chief Executive. Crown Copyright Reserved.



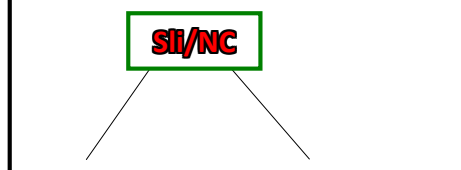
**Notes**  
 1. This drawing is the property of RPS Planning & Environment. It is a confidential document and must not be copied, used, or its contents divulged without prior written consent.

**LEGEND**

-  Proposed Alignment
- 1303 Chainage
-  Scheme Footprint
-  100m Buffer
-  200m Buffer
-  Sensitive Receptor  
(Refer to Appendix 8.1 for reference number, address & impact assessment)

**Impact on Property**

- NC - No Change
- SII - Slight Negative Impact
- Mod - Moderate Negative Impact
- Sub - Substantial Negative Impact
- SP - Slight Positive Impact



All sensitive receptors within the 100m buffer given an impact rating. Sensitive receptors from 100m - 200m given impact rating of NC/NC due to urban nature of the scheme and resultant restricted views.  
 (Except properties 1 - 43)

**ISSUE DETAILS**

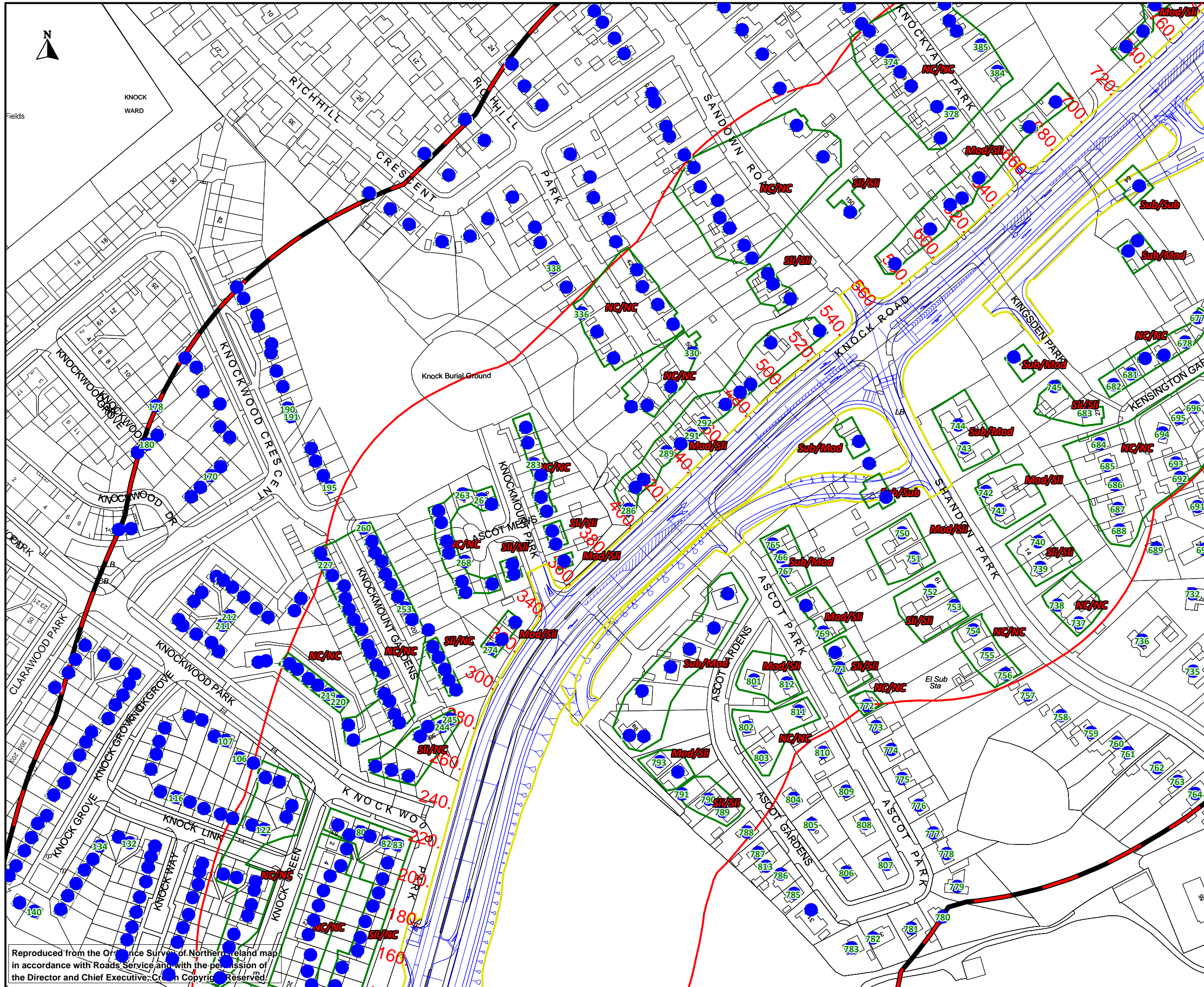
Drawn: SMcA	Project No. NI 0830
Chkd: AMcK	File Ref. A
Appd: RH	
Date: November 2009	Drawing No. 8.4 a
Scale: 1:1750	Rev. FINAL



**PROJECT & FIGURE DETAILS**

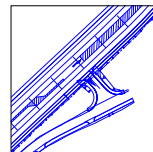




Project Title: A55 Knock Road Environmental Statement  
 Figure Title: Residential Visual Impact 0 - 220m  
 Figure Number: 8.4 a

Reproduced from the Ordnance Survey of Northern Ireland map in accordance with Roads Service and with the permission of the Director and Chief Executive. Crown Copyright Reserved.



Notes  
1. This drawing is the property of RPS Planning & Environment. It is a confidential document and must not be copied, used, or its contents divulged without prior written consent.

**LEGEND**

-  Proposed Alignment
- 1303 Chainage
-  Scheme Footprint
-  100m Buffer
-  200m Buffer
-  Sensitive Receptor  
(Refer to Appendix 8.1 for reference number, address & impact assessment)

**Impact on Property**  
NC - No Change  
SI - Slight Negative Impact  
Mod - Moderate Negative Impact  
Sub - Substantial Negative Impact  
SP - Slight Positive Impact

**SII/NC**

**Pre-mitigation Impact      Residual Impact (post establishment)**  
All sensitive receptors within the 100m buffer given an impact rating. Sensitive receptors from 100m - 200m given impact rating of NC/NC due to urban nature of the scheme and resultant restricted views. (Except properties 1 - 43)

**ISSUE DETAILS**

Drawn: SMcA	Project No. NI 0830	
Chkd: AMcK	File Ref.	
Appd: RH	A	
Date: November 2009	Drawing No.	Rev.
Scale: 1:1750	8.4 b	FINAL

Environmental Consultants



Engineering Consultants



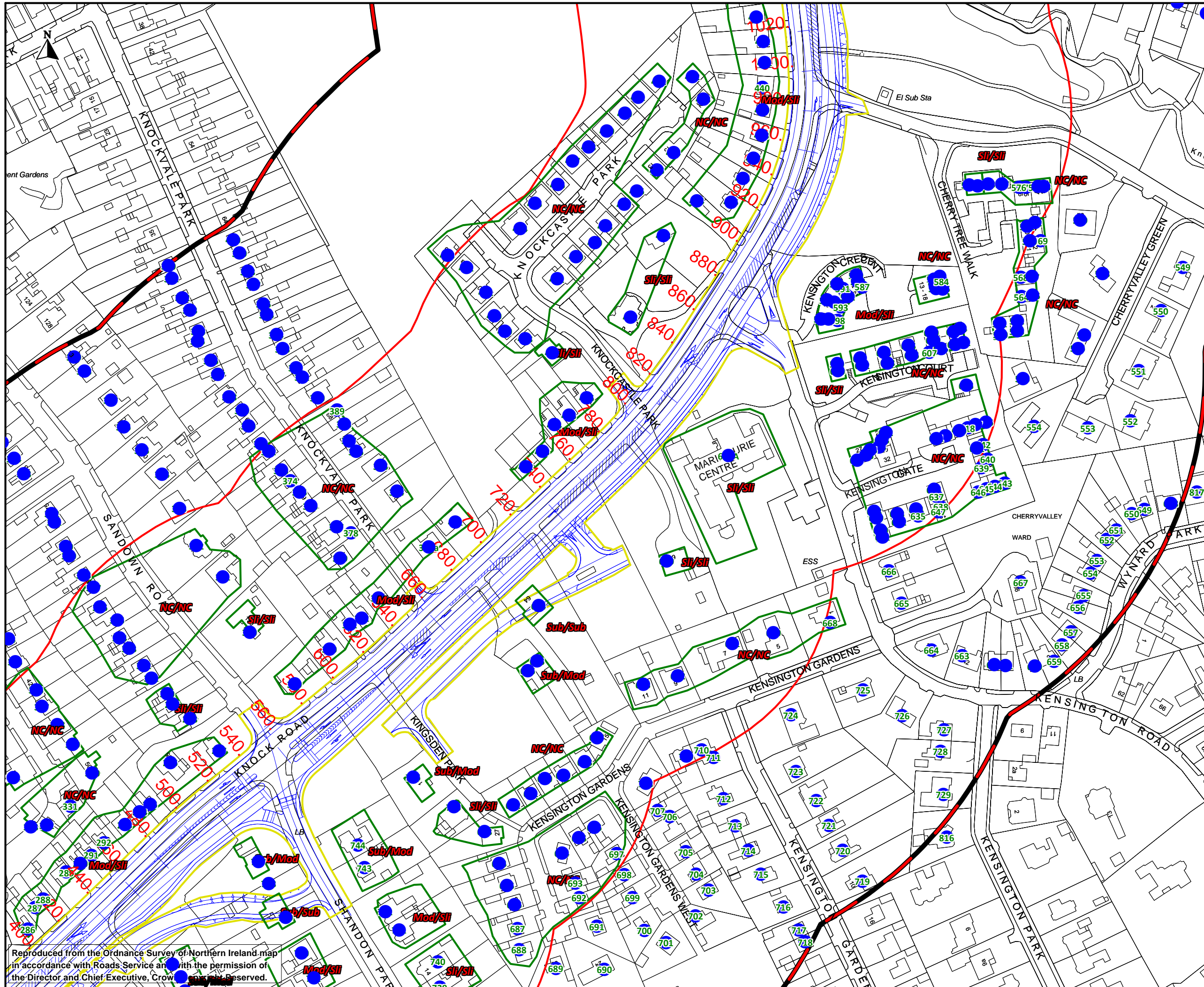
Client



**PROJECT & FIGURE DETAILS**

Project Title: A55 Knock Road Environmental Statement  
Figure Title: Residential Visual Impact 220 - 560m  
Figure Number: 8.4 b

Reproduced from the Ordnance Survey of Northern Ireland map in accordance with Roads Service and with the permission of the Director and Chief Executive. Copyright Reserved.



**Notes**  
 1. This drawing is the property of RPS Planning & Environment. It is a confidential document and must not be copied, used, or its contents divulged without prior written consent.

**LEGEND**

Proposed Alignment

Chainage

Scheme Footprint

100m Buffer

200m Buffer

Sensitive Receptor (Refer to Appendix 8.1 for reference number, address & impact assessment)

**Impact on Property**

NC - No Change

Sli - Slight Negative Impact

Mod - Moderate Negative Impact

Sub - Substantial Negative Impact

SP - Slight Positive Impact

**Residual Impact**

Pre-mitigation Impact

Residual Impact (post establishment)

All sensitive receptors within the 100m buffer given an impact rating. Sensitive receptors from 100m - 200m given impact rating of NC/NC due to urban nature of the scheme and resultant restricted views. (Except properties 1 - 43)

**ISSUE DETAILS**

Drawn: SMcA	Project No. NI 0830
Chkd: AMcK	File Ref. A
Appd: RH	Drawing No. 8.4 c
Date: November 2009	Rev. FINAL
Scale: 1:1750	

Environmental Consultants



Engineering Consultants



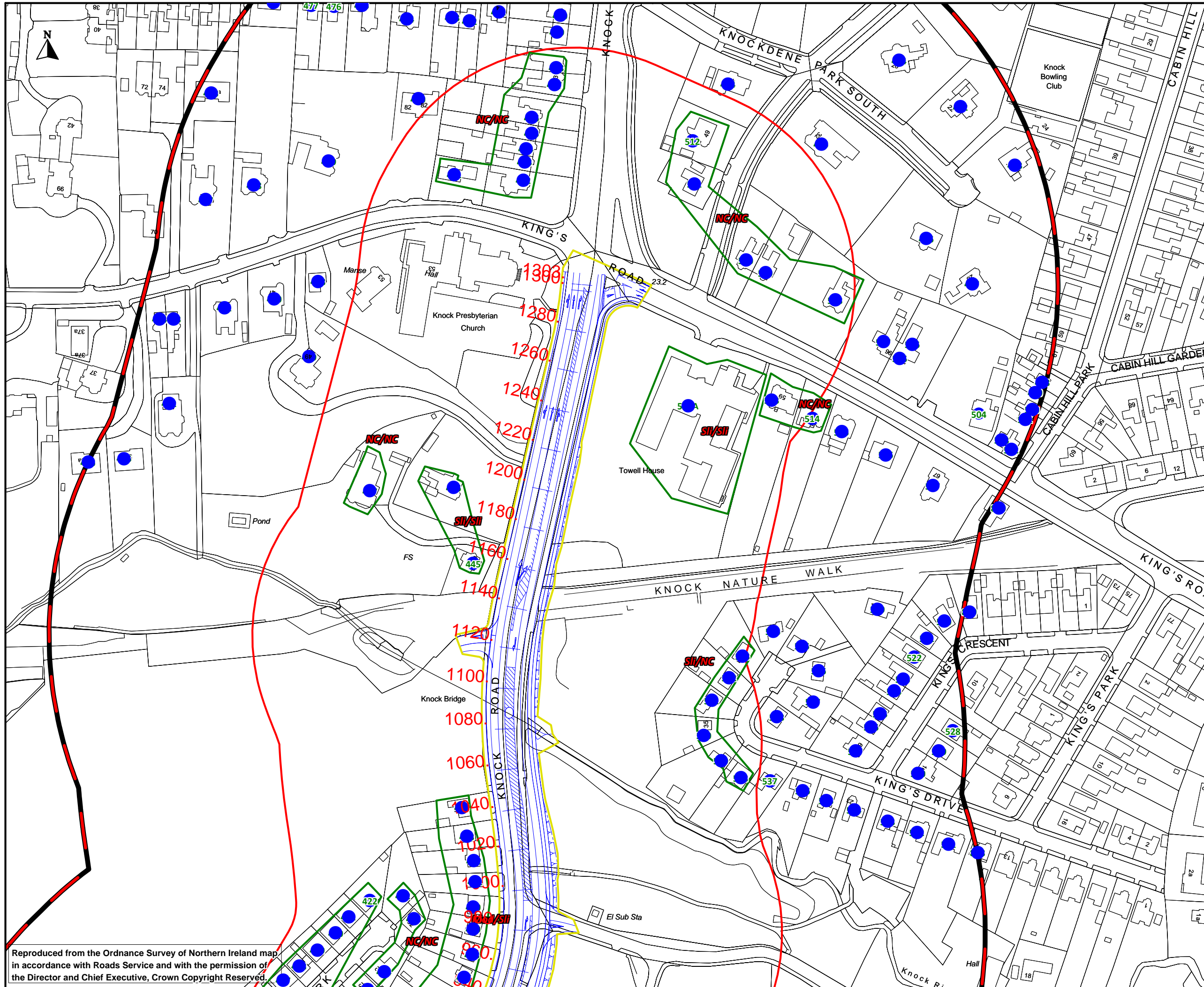
**PROJECT & FIGURE DETAILS**

Project Title: A55 Knock Road Environmental Statement

Figure Title: Residential Visual Impact 560 - 1000m

Figure Number: 8.4 c

Reproduced from the Ordnance Survey of Northern Ireland map in accordance with Roads Service and with the permission of the Director and Chief Executive, Crown Copyright Reserved.



**Notes**  
 1. This drawing is the property of RPS Planning & Environment. It is a confidential document and must not be copied, used, or its contents divulged without prior written consent.

**LEGEND**

Proposed Alignment

1303 Chainage

Scheme Footprint

100m Buffer

200m Buffer

Sensitive Receptor (Refer to Appendix 8.1 for reference number, address & impact assessment)

**Impact on Property**

NC - No Change

SII - Slight Negative Impact

Mod - Moderate Negative Impact

Sub - Substantial Negative Impact

SP - Slight Positive Impact

**SII/NC**

Pre-mitigation Impact      Residual Impact (post establishment)

All sensitive receptors within the 100m buffer given an impact rating. Sensitive receptors from 100m - 200m given impact rating of NC/NC due to urban nature of the scheme and resultant restricted views. (Except properties 1 - 43)

**ISSUE DETAILS**

Drawn: SMcA	Project No. NI 0830
Chkd: AMcK	File Ref. A
Appd: RH	
Date: November 2009	Drawing No. 8.4 d
Scale: 1:1750	Rev. FINAL

Environmental Consultants



Engineering Consultants



**PROJECT & FIGURE DETAILS**

Project Title: A55 Knock Road Environmental Statement

Figure Title: Residential Visual Impact 1000 - 1303m

Figure Number: 8.4 d

Reproduced from the Ordnance Survey of Northern Ireland map in accordance with Roads Service and with the permission of the Director and Chief Executive, Crown Copyright Reserved.